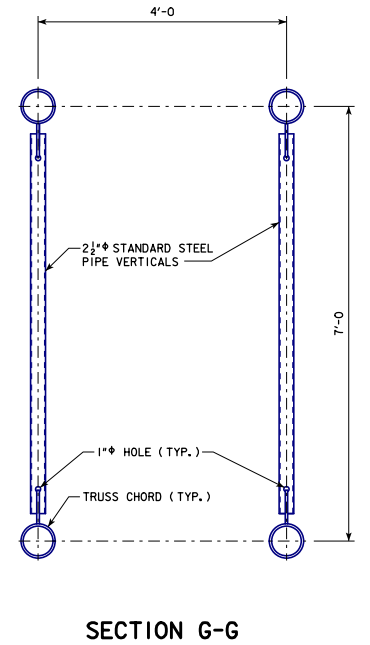
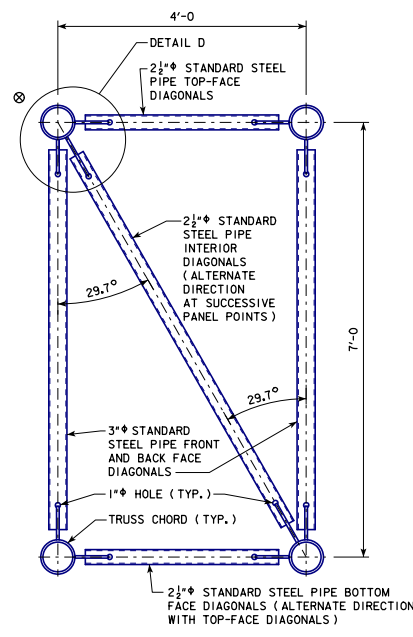
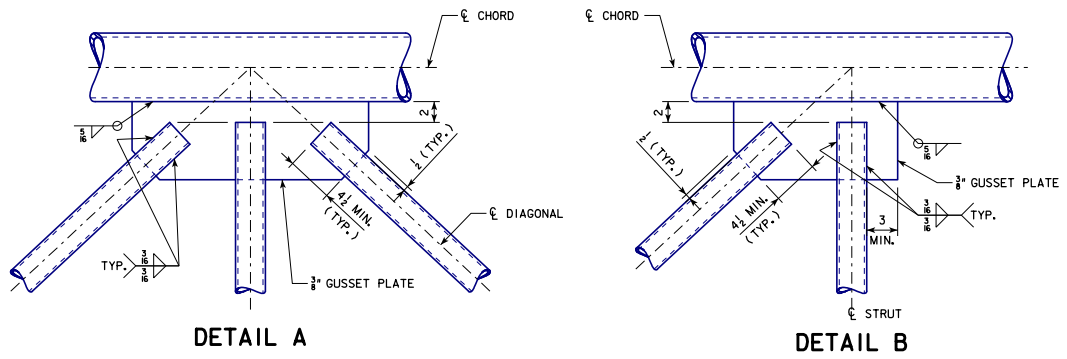
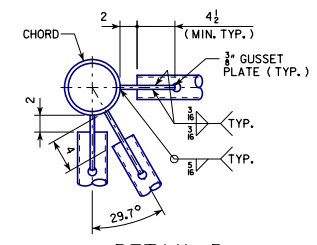
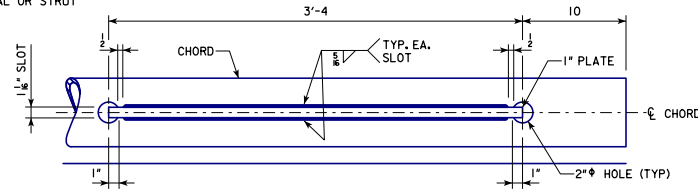
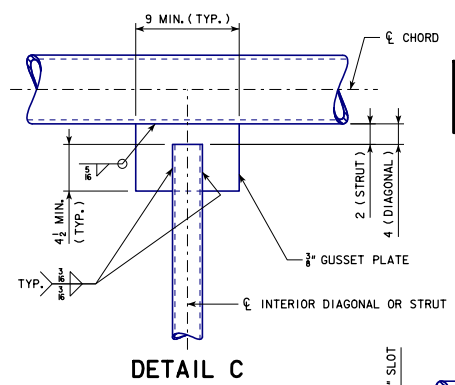


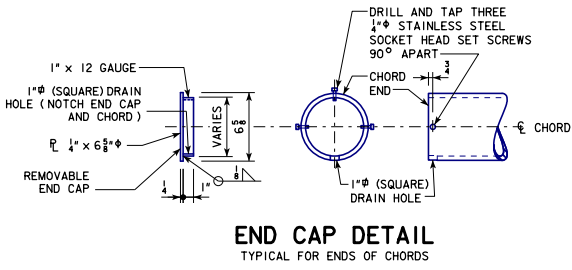
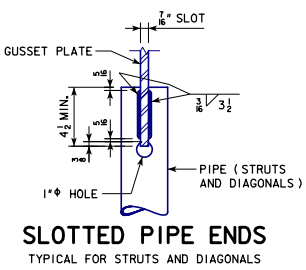
REVISED 03-2018: UPDATED BRIDGE ENGINEER SIGNATURE, IMPROVE CLARITY.  
 REVISED 04-2020: LENGTHENED DIMENSIONAL EXTENSION LINE IN DETAILS A AND B TO CLARIFY 2" DISTANCE BETWEEN END OF WEB MEMBERS AND CHORD, ADDED 3/8" DIMENSION TO CLARIFY LOCATION OF SET SCREWS IN END CAP DETAIL, LENGTHENED DIMENSIONAL EXTENSION LINE IN SLOTTED-PIPE-ENDS DETAIL TO CLARIFY THAT DIMENSIONAL EXTENSION LINE IS TANGENT TO CIRCULAR HOLE.  
 STEELCANTILEVERSTRUSS.dgn - SCST-05-17 - THIS SHEET ISSUED 07-2017.



DETAIL A, DETAIL B, AND DETAIL C SHOW CONNECTIONS AT TOP CHORDS. CONNECTIONS AT BOTTOM CHORDS ARE SIMILAR.



⊗ INDICATES THE CONNECTION OF INTERIOR DIAGONALS IN VERTICAL PLANE TO THE TOP CHORD MEMBERS. SEE SECTION F-F.



SEE STANDARD SHEET SCST-02-17 FOR LOCATIONS OF DETAILS A, B AND C AND SECTIONS F-F AND G-G.

04-2020 LATEST REVISION DATE  APPROVED BY BRIDGE ENGINEER	 STANDARD DESIGN	
	<b>STEEL CANTILEVER SIGN TRUSS</b> JULY, 2017	
	GUSSET PLATE CONNECTION DETAILS	<b>SCST-05-17</b>